

Specifications

DESCRIPTION

The lighting post shall be cast aluminum and steel construction consisting of a steel post consisting of a $\text{Ø}8\frac{3}{8}$ " to $\text{Ø}5\frac{1}{2}$ " stepped shaft with a $\text{Ø}4\frac{3}{8}$ " x 12" tall tenon and decorative cast aluminum collar and slip over base. Mounted atop the shaft is a Stuttgart Style arm, a GlasWerks Style levelling fitter, and a Bern Series fixture. The post shall also be provided with (4) 24" banner arms and (1) receptacle.

MATERIALS

The post assembly shall be steel. The transition collar and slip over base shall be cast aluminum, (heavy wall, 356.1 alloy) formed true to pattern with complete detail. All hardware shall be tamper resistant, stainless steel.

DIMENSIONS

The post shall be 20'-0" in height with a $\text{Ø}8\frac{3}{8}$ " lower shaft, $\text{Ø}5\frac{1}{2}$ " upper shaft and a $\text{Ø}4\frac{3}{8}$ " x 12" tall tenon. The slip over base shall be $\text{Ø}18$ ".

INSTALLATION

Post designed for use with (4) $\text{Ø}1$ " anchor bolts. A handhole is located in the shaft to provide wiring access.

FINISH

The entire assembly shall have a standard Holophane black finish.

FIXTURE

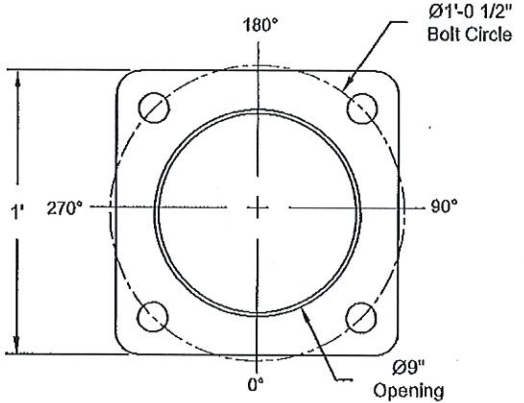
- 150W Metal Halide (medium)
 - Multitap 120-277V, Factory Wired For 120V Only
 - Flat Glass, Horizontal Lamp Square Asymmetric
 - NEMA Twistlock Photocontrol Receptacle
- For fixture specifications see LUM_BERN.

Accessory Mounting Detail

	Orientation	Height
FGIUS		
BAD24H4B		
BAD24H4B		
BAD24H4B		
BAD24H4B		

FILL OUT CHART DURING APPROVAL PROCESS

Anchorage Detail



DO NOT USE TO SET ANCHOR BOLTS
CONTACT CUSTOMER SERVICE FOR TEMPLATE

Catalog #'s:

GB15DMHMA2BSHANH P-154948 - GWLF200SCABK - PD20S5/18-S-BK-T(4.38X12.0)-LAB - (4)BAD24H4B - FGIUS-SBKH - RFD72993 - SG60/2CABKH - RFD72994

Customer Signature

Date



Anson Village Phase IV South Zionsville, Indiana

ORDER #: 2335-13-10095	TYPE:	DRAWING #:
REVISION:	REVISION DATE:	TSG 007579
DRAWN: KRW	ORIGIN DATE: 4/22/13	PAGE: 1 of 2

THIS DRAWING, WHEN APPROVED, SHALL BECOME THE COMPLETE SPECIFICATION FOR THE MATERIAL TO BE FURNISHED BY HOLOPHANE ON THE ORDER NOTED ABOVE. A UNIT OF SIMILAR DESIGN MAY BE SUPPLIED, BUT ONLY AFTER APPROVAL BY THE CUSTOMER IN WRITING. ON POLE ORDERS AN ANCHOR BOLT TEMPLATE PRINT WILL BE SUPPLIED WITH EACH ANCHOR BOLT ORDER TO MATCH THE POLE PROVIDED. THIS PRINT IS THE PROPERTY OF HOLOPHANE AND IS LOANED SUBJECT TO RETURN UPON DEMAND AND UPON EXPRESS CONDITION THAT IT WILL NOT BE USED DIRECTLY OR INDIRECTLY IN ANY WAY DETRIMENTAL TO OUR INTERESTS, AND ONLY IN CONNECTION WITH MATERIAL FURNISHED BY HOLOPHANE.

ATTN: JERRY



An Acuity Brands Company

Quoted To: Authorized Holophane Distributor

Job Name: Boone REMC - Aluminum pole assembly (1&2 fixtures)
Quote #: 2419-22-10802-2
Quote Label: 04/20/22 Dual fixture assembly
Job Location: Indiana
Issue Date: 4/20/2022
Good Through: 3/4/2022
Bid Date: 2/3/2022

Quoted By: Jeff Clites

Jeff.Clites@AcuityBrands.com

Table with columns: Type, Qty, Catalog #, Description. Includes items like GBLF3 P50 50K MVOLT ASY QSM BK PR3 RFD328613, GWDF QSM BK, and AORSS 20 60 4.38T12 (4)BAP CH17AC BK, STG 30IN 2A TN BK, (4)BA 24IN 1A BO HB 100P BK, VAL1 ABSET RFD329476.

Unit \$ 1625.00 Ext \$ 3250.00

206.25 412.50

8547.00 8547.00

\$ 12,009.50

Tax 854.67

Total \$13,064.17

Estimated Lead Time: 12-16 weeks

Notes

* Quote is based on quantities and types indicated. Changes in counts or types may affect prices. Quote number must be written on the Purchase Order. Please include full name and phone number of destination receiver to facilitate delivery. Submit all Purchase Orders to the Customer Care Team at: centralsalesupport@holophane.com. All quotes subject to standard terms and conditions unless specifically noted. IMPORTANT NOTE - The lead time shown is manufacturing time only. For delivery lead time, please add 5-10 business days to cover transportation and processing. Please contact your Holophane representative if you have any questions regarding this quote.

Terms

THANKS, M.A.