

Wastewater Dept. Tractor Quote Table

Manufacture	Case	New Holland	John Deere
Quote	\$98,842.00	\$108,600.00	\$129,000.00



BANE-WELKER

SINCE 1967 EQUIPMENT

Sourcewell member 112654

CNHSourcwell contract# 110719-CIH

Tractor-loader option#2

NAME: Town of Whitestown

6/15/2023

ADDRESS:

CITY:

ST:

ZIP CODE:

MY2023 CaseIH Farmall 120C PS base machine price	\$97,090.00
deluxe fast pick pkg discount	<\$4917.00>
deluxe cab with hi-Vis panel	\$685.00
deluxe air suspension seat/ hand brake	included
40kph transmission	\$323.00
12x12 power shuttle,top link draft sensing,rear fenders,120A alternator	included
external 3 pt hitch controls	\$320.00
midmount loader valve-joystick-diverter valve	\$2,739.00
540-1000 pto	\$690.00
mfd front axle-limited slip	\$341.00
12.4 x24 R1 front tires	\$1,323.00
HD rear axle	\$816.00
18.4 x30 R1 rear tires	\$3,208.00
HD self-leveling loader	\$10,006.00
84" skid steer bucket	\$1,158.00
(4) 110# rear wheel weights	\$785.00
Total list price as above	\$114,567.00
Sourcewell member discount 30%	<\$34370.10>

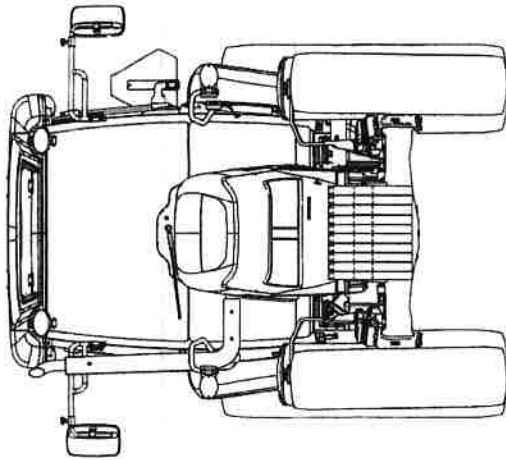
Sourcewell price F120C \$80,196.90

Factory freight-set up \$8,395.90

Total Sourcewell cost \$88,592.00

QUOTED BY: Steve Hine

Cab Height: 106 in.
Non-Cab: 103 in.



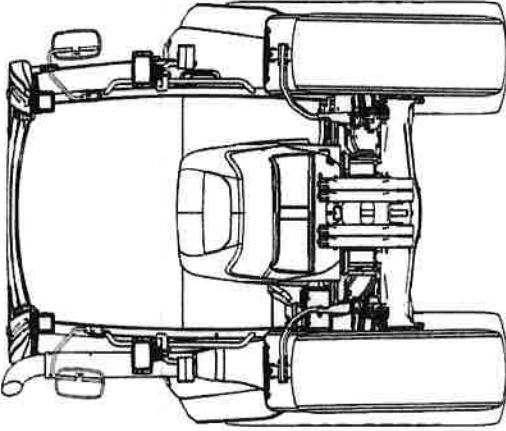
option #1

STANDARD MEDIUM UTILITY

MODELS 95A/105A/115A

- 8,000 lb. class
- 2WD Wheelbase: 91 in.
- MFD Wheelbase: 89 in.
- Configurations:
 - Cab or non-cab, 2WD/MFD
 - Low-profile/poultry
- Emissions Treatment
 - Selective catalytic reduction (SCR) with cooled exhaust gas recirculation (CEGR). *No regeneration.*

Cab Height: 102 in.
Non-Cab: 109 in.



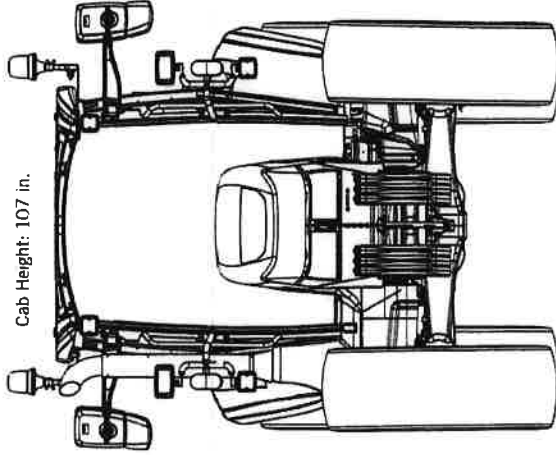
option #2

DELUXE MEDIUM UTILITY

MODELS 90C/100C/110C/120C

- 8,000 lb. class
- 2WD Wheelbase: 92 in.
- MFD Wheelbase: 90 in.
- Configurations:
 - Cab or non-cab, 2WD/MFD
- Emissions Treatment
 - Selective catalytic reduction (SCR) with cooled exhaust gas recirculation (CEGR). *No regeneration.*
 - Selective catalytic reduction (SCR) with diesel oxidation catalyst (DOC). *No regeneration.* (with 24 x 24 Hi-Lo transmission).

Cab Height: 107 in.

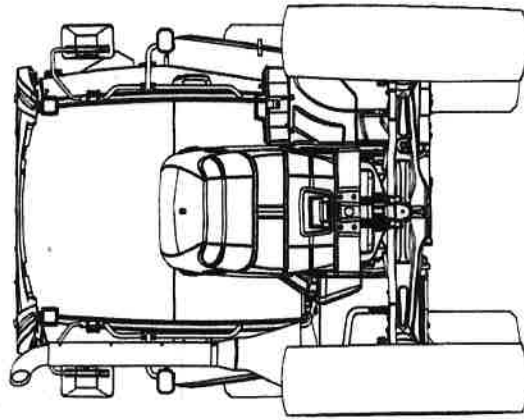


PREMIUM MEDIUM UTILITY

MODELS 110U/120U

- 10,000 lb. class
- MFD Wheelbase: 93.7 in.
- Configurations:
 - Cab, MFD
- Emissions Treatment
 - Selective catalytic reduction (SCR) with cooled exhaust gas recirculation (CEGR). *No regeneration.*

Cab Height: 110 in.
Non-Cab: 117.3 in.



STANDARD LARGE UTILITY

MODELS 110A/120A/130A/140A PRO

- 11,000 lb. class
- 2WD Wheelbase: 96 in.
- MFD Wheelbase: 104 in.
- Configurations:
 - 110A: Cab, MFD
 - 120A: Cab or non-cab, MFD
 - 130A: Cab, 2WD/MFD
 - 140A: Cab, 2WD or non-cab MFD
- Emissions Treatment
 - Selective catalytic reduction (SCR) with diesel oxidation catalyst (DOC). *No regeneration.*

BANE-WELKER SINCE 1967 EQUIPMENT

Std. Government discount bid

Mower option#2

NAME: Town of Whitestown

6/15/2023

ADDRESS:

CITY:

ST:

ZIP CODE:

MY2023 Woods MDS10.40W base unit:		
3 pt mounted for cat II/III hitch/quick hitch ready/540 pto/chain shielding		\$14,809.00
(2) 16" laminated caster wheels		included
60-120 hp recommended		
10 gauge deck		
7 gauge side frame-10" depth		
cat 5 input driveline		
EZ change blade pins		
2" cutting capacity		
120 hp splitter gearbox/90 hp spindle gearbox		
6 yr limited gearbox warranty		
16700 fpm blade tip speed	Factory freight	included

List price as above \$14,809.00

Gov discount <\$4559.00>

Cash price as above \$10,250.00

QUOTED BY: Steve Hine